

TIP

TIP GmbH
Klüterfeld 23
30826 Garbsen/

Germany

www.nicetip.eu

Safety Instructions

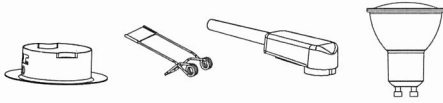


1, 2, 3, 4, 5, 6, 7, 8, 12, 13, 19, 28, 33, 34,

Art.-Nr.:
3957
3958
3959
3960
3961
3962

(+MA9326) TSPU 04/17

3957
3958
3959



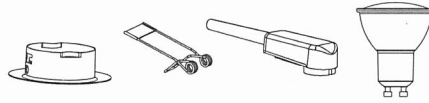
3X

6X

3X

3X

3960
3961
3962

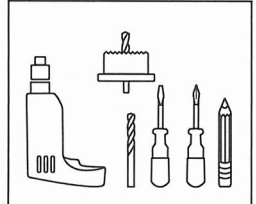


1X

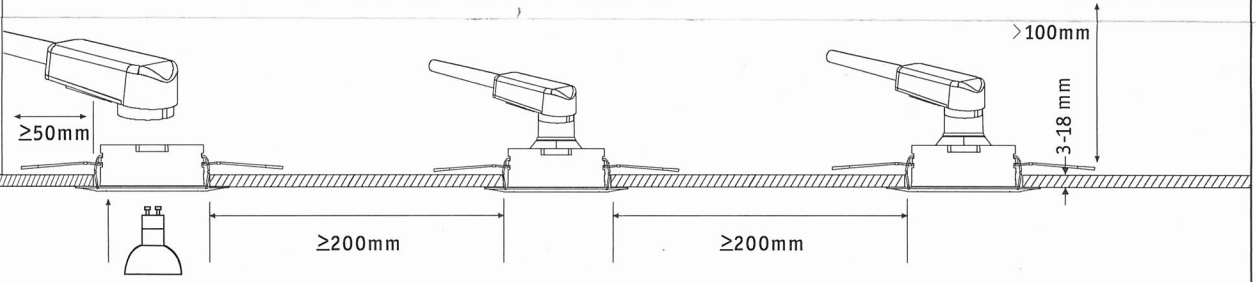
2X

1X

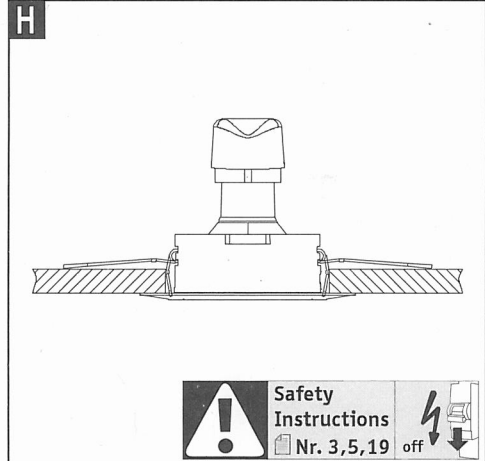
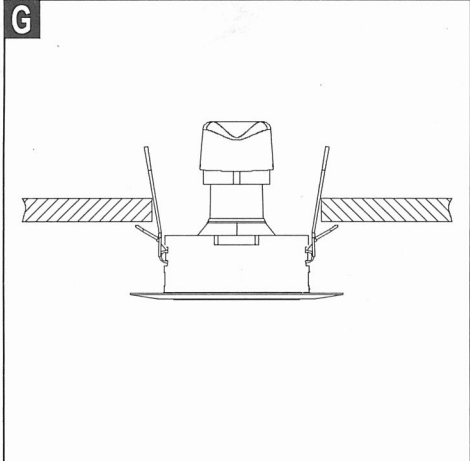
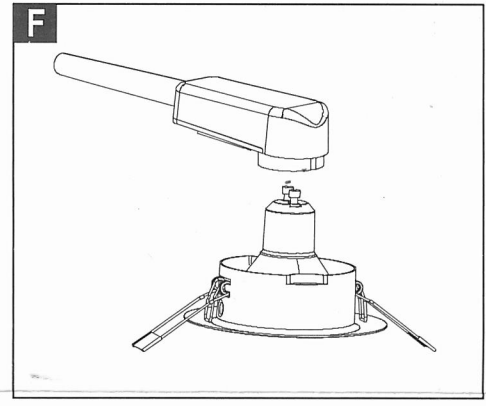
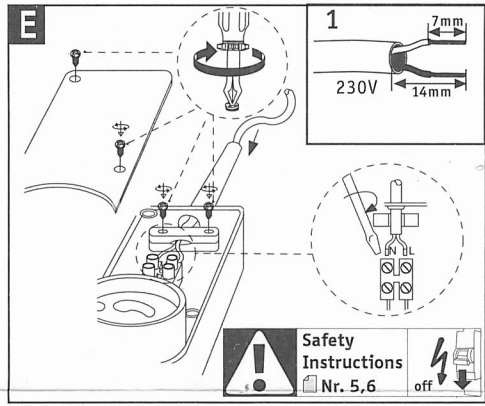
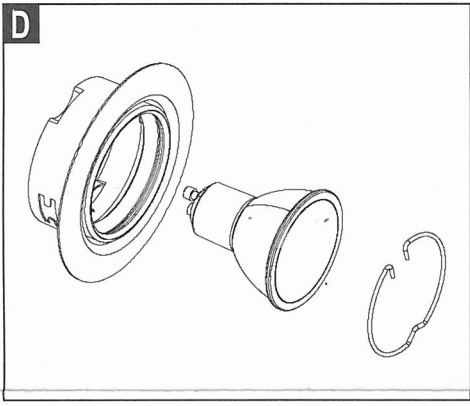
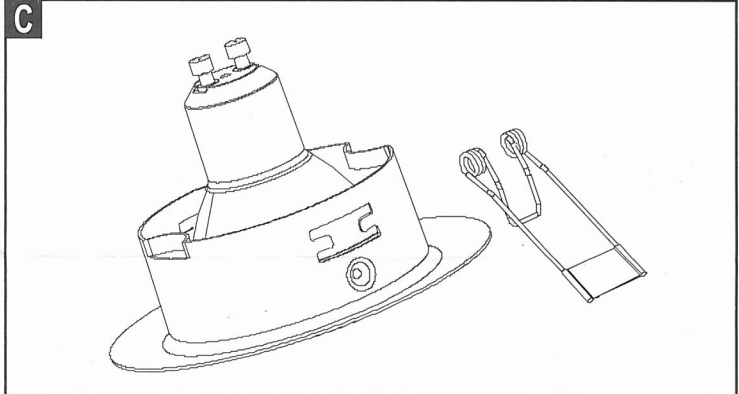
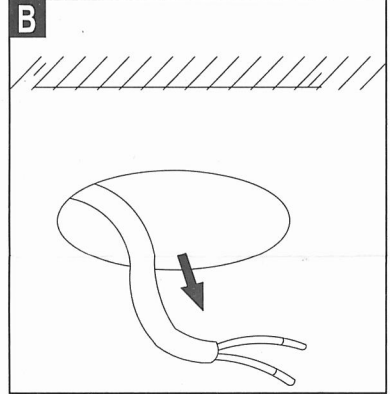
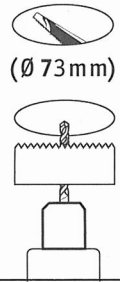
1X




 Safety Instructions
Nr. 1, 2, 13



A  Safety Instructions
Nr. 4, 5, 7



 Safety Instructions
Nr. 3, 5, 19 off 